

EUROPEAN STANDARD

EN 61429/A11

NORME EUROPÉENNE

EUROPÄISCHE NORM

October 1998

---

ICS 01.080.20; 29.220.20; 29.220.30

Descriptors: Lead-acid batteries, alkaline batteries, marking, symbols, waste recycling

English version

**Marking of secondary cells and batteries with  
the international recycling symbol ISO 7000-1135 and  
indications regarding directives 93/86/EEC and 91/157/EEC**

Marquage des accumulateurs avec le  
symbole international de recyclage  
ISO 7000-1135 et les indications  
relatives aux directives 93/86/CEE et  
91/157/CEE

Kennzeichnung von Akkumulatoren und  
Batterien mit dem internationalen  
Recycling-Bildzeichen ISO 7000-1135  
und Hinweis auf Richtlinien 93/86/EWG  
und 91/157/EWG

This amendment A11 modifies the European Standard EN 61429:1996; it was approved by CENELEC on 1998-04-01. CENELEC members are bound to comply with the CEN/CENELEC Internal Regulations which stipulate the conditions for giving this amendment the status of a national standard without any alteration.

Up-to-date lists and bibliographical references concerning such national standards may be obtained on application to the Central Secretariat or to any CENELEC member.

This amendment exists in three official versions (English, French, German). A version in any other language made by translation under the responsibility of a CENELEC member into its own language and notified to the Central Secretariat has the same status as the official versions.

CENELEC members are the national electrotechnical committees of Austria, Belgium, Czech Republic, Denmark, Finland, France, Germany, Greece, Iceland, Ireland, Italy, Luxembourg, Netherlands, Norway, Portugal, Spain, Sweden, Switzerland and United Kingdom.

## CENELEC

European Committee for Electrotechnical Standardization  
Comité Européen de Normalisation Electrotechnique  
Europäisches Komitee für Elektrotechnische Normung

Central Secretariat: rue de Stassart 35, B - 1050 Brussels

### Foreword

This amendment was prepared by the Technical Committee CENELEC TC 21X, Secondary cells and batteries.

The text of the draft was submitted to the formal vote and was approved by CENELEC as amendment A11 to EN 61429:1996 on 1998-04-01.

The following dates were fixed:

- latest date by which the amendment has to be implemented  
at national level by publication of an identical  
national standard or by endorsement (dop) 1999-03-01
  
  - latest date by which the national standards conflicting  
with the amendment have to be withdrawn (dow) 1999-03-01
-

## **Title**

Add : "and indications regarding directives 93/86/EEC and 91/157/EEC".

## **Contents :**

Figures : Replace numbering "2" by "3".

Add : "Figure 2 EC-symbol of a crossed through roll out container".

## **1 Scope**

Replace the first sentence by :

"This European Standard defines the conditions of utilization of the recycling symbol of the International Organisation for Standardization (ISO) combined with the indication regarding EC directives associated with the chemical symbols indicating the electrochemical system of the battery."

## **3 Marking**

Add between "ISO 7000-1135 (see figure 1)" and "together with the indication ...":  
"combined with the EC-indication of a crossed through roll out container (see figure 2)"  
and replace "(figure 2)" by "(figure 3)".

### **3.2.1**

In the 2<sup>nd</sup> paragraph replace "dimensions" by "dimension"» and delete "R"».

Delete de 2<sup>nd</sup> formula "R = 1,5 x a" together with the rest of the paragraph.

Renumber 3.2.2 by 3.2.3 and add a new paragraph 3.2.2 :

### **"3.2.2 Indication of the EC-symbol of a crossed through roll out container**

The container symbol shall cover at least 3% of the area of the largest side of the battery up to a maximum size of 5 x 5 cm. »

### **3.2.3 (former 3.2.2)**

Change the 2<sup>nd</sup> sentence in : "They shall be placed beneath the crossed through roll out container (see figure 3 and 4)."

Replace the last sentence by : "They shall be placed according to figure2".

## **Figure 1**

Delete the dimension "R = 1,50a".

Replace figure 2.

Add new figures 3 and 4.

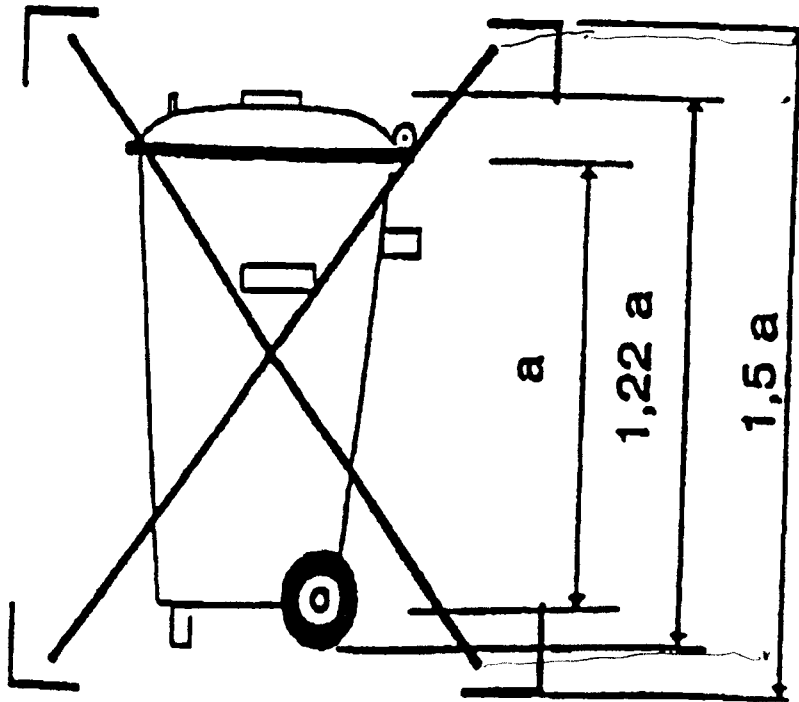


Figure 2 - EC-symbol of a crossed through roll out container

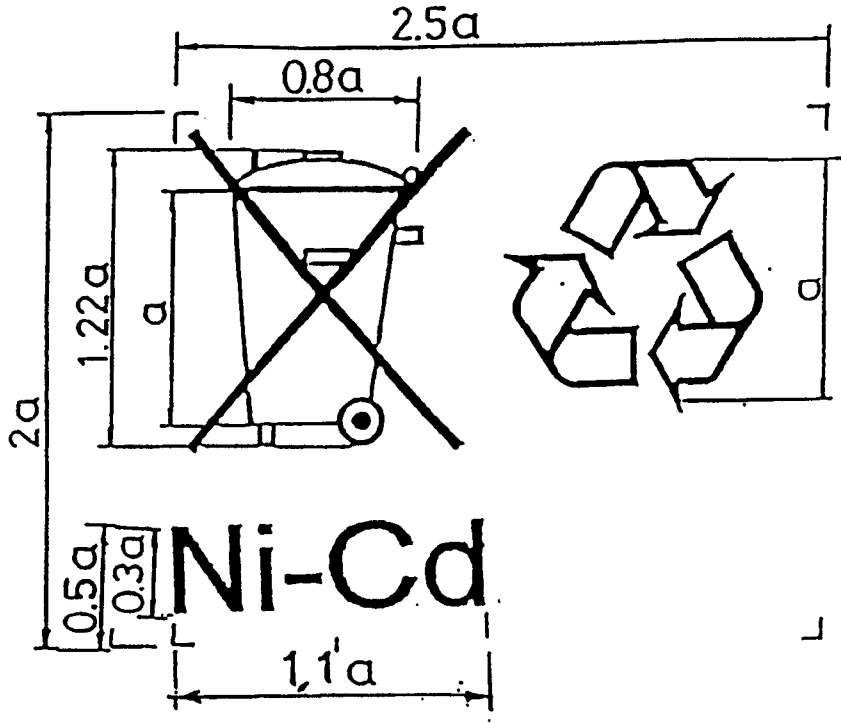
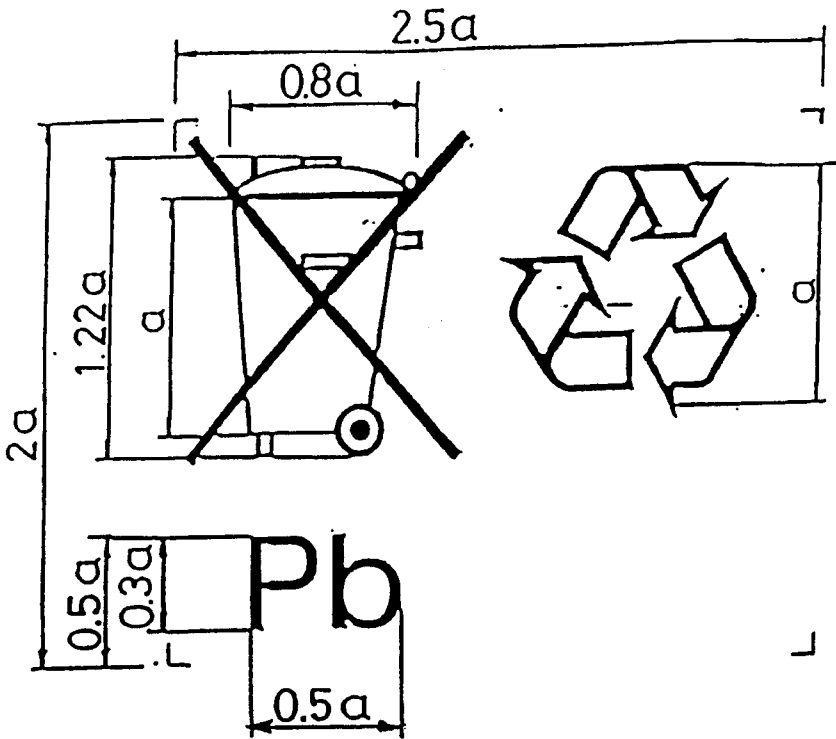


Fig.3 - Disposition of the recycling symbol with the EC-symbol and the chemical symbol

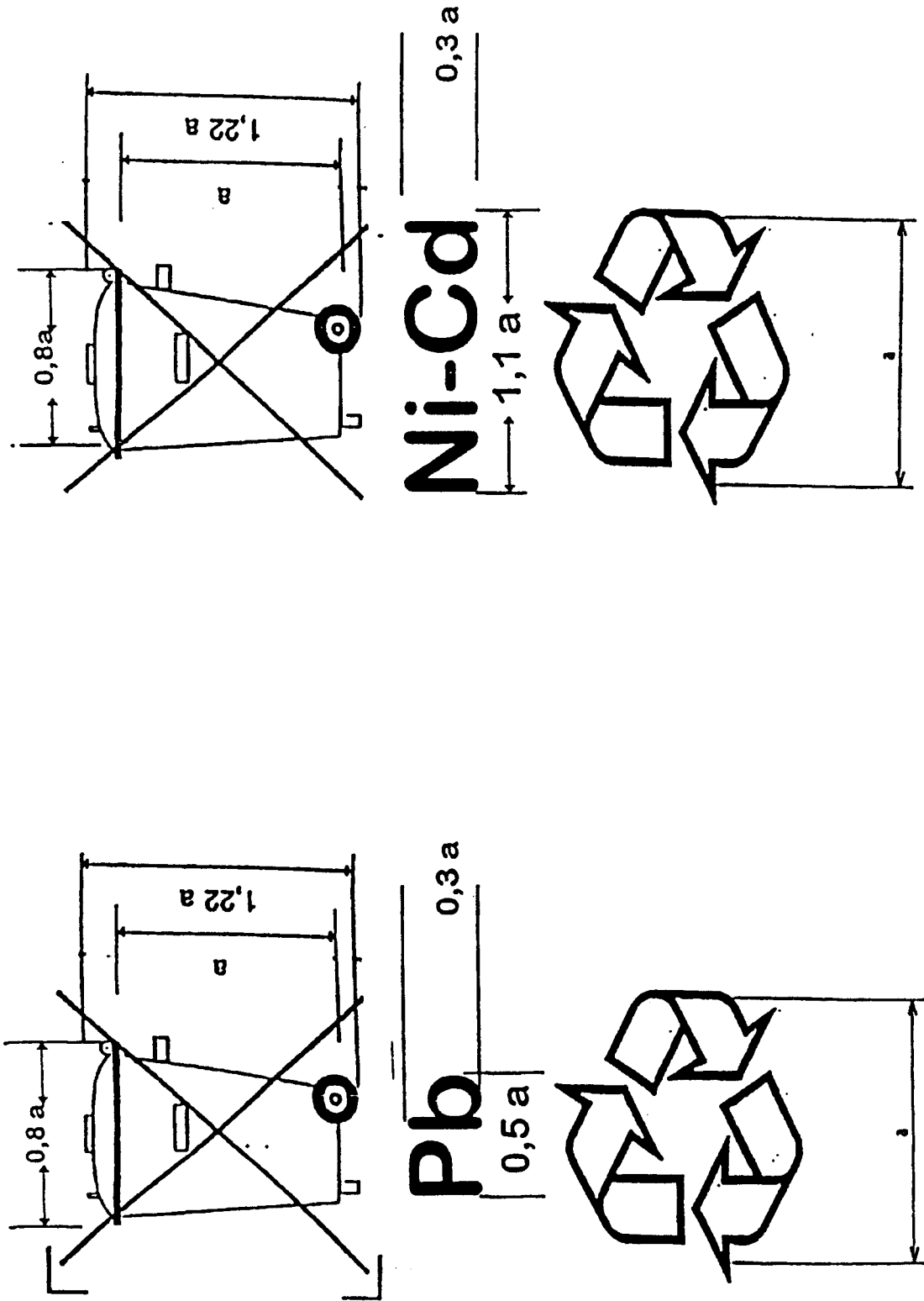


Fig.4 - Disposition of the recycling symbol with the EC-symbol and the chemical symbol - alternative